

Description

Range of application

As accessories to a number of UWE vehicle climate products we can offer a wide range of EPDM rubber hoses. These are available as:

- Straight hoses
- Straight hoses with reduction
- Elbow hoses with or without reduction
- T- & Y connections
- U-bends

The material

EPDM rubber (Ethylene Propylene Diene Monomer rubber) is an elastomer which is characterized by wide range of applications. Perfect for hoses in automotive applications. The material comply with the following standards:

- DIN 73411-1, 73411-2 class B

Suitable applications

These UWE products are examples of suitable applications for the EPDM hoses:

- Whisper 3C (22)
- Whisper 7C (22)
- Whisper 12C (28)
- Whisper 200 & K200 (22)
- UW9 (22)
- Convector P20 (15)
- Convector P90 (22)
- Convector P400 (28)
- Convector UC9 (18)
- Convector P200 (22)
- Radiator (22)
- PC500 (15)

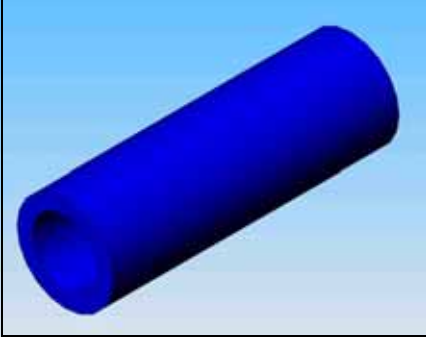
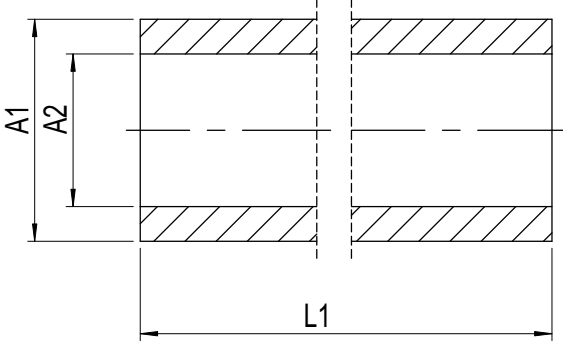

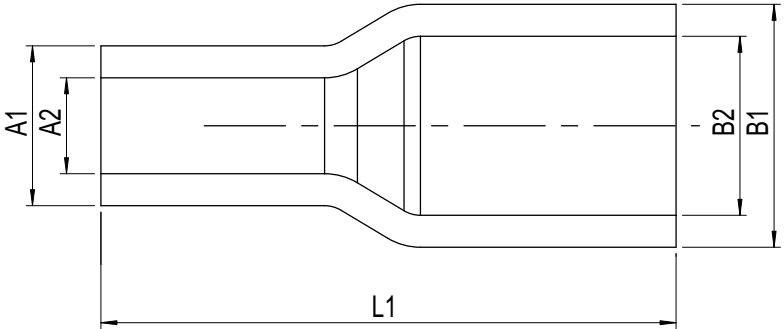
The figures in brackets are the standard connection dimension in mm, but always check the connection dimension of *your* product.



Technical data

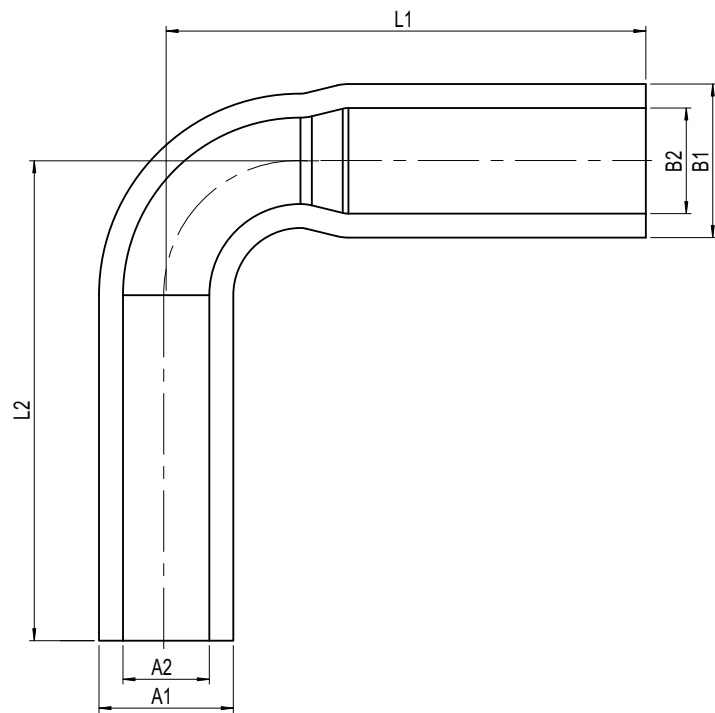
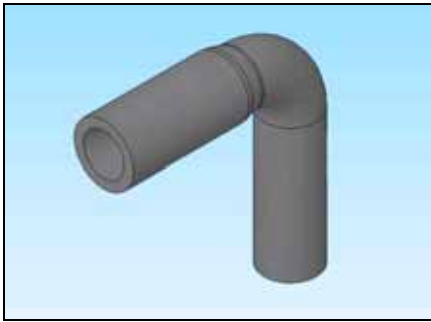
Material	Rubber: EPDM 70° S 1 ply polyester
Environment temperature	-40°C to +125°C
Temperature of the medium	-40°C to +110°C
System working pressure interval	-0,4bar to 2bar.
Max static pressure limit	4bar
Possibility to handle vacuum filling	-0,9bar (3 times)
Medium	Water with glycol mixture 50/50%
Environment chemical stress	Salt, emission gases, industrial air

Product range

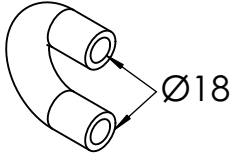
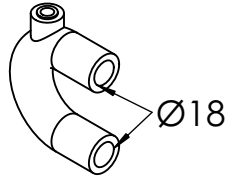
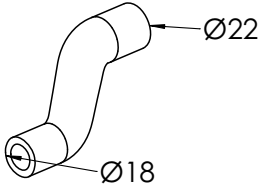
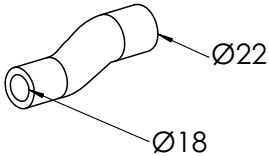
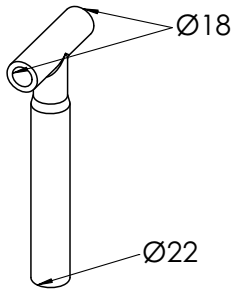
Description (all dimensions in mm)							
Straight hose							
							
	A1	A2	B1	B2	L1	L2	Part No.
Straight hose 15-15	25	15	-	-	1000	-	20092
Straight hose 18-18	28	18	-	-	1000	-	20043
Straight hose 22-22	32	22	-	-	3000	-	18536
Straight hose 28-28	38	28	-	-	3000	-	20019
Straight hose with reduction							
							
	A1	A2	B1	B2	L1	L2	Part No.
Straight hose 16-22 reduction	26	16	32	22	70	-	18320
Straight hose 15-18 reduction	25	15	28	18	70	-	18382
Straight hose 15-22 reduction	25	15	32	22	70	-	18319
Straight hose 15-28 reduction	25	15	38	28	70	-	20093
Straight hose 18-22 reduction	28	18	32	22	70	-	18321
Straight hose 18-28 reduction	28	18	38	28	90	-	20094
Straight hose 22-28 reduction	32	22	38	28	90	-	20018

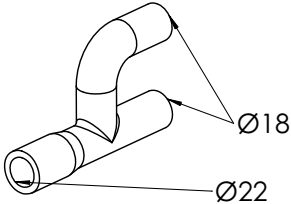
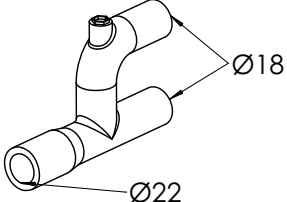
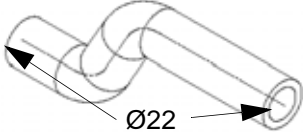
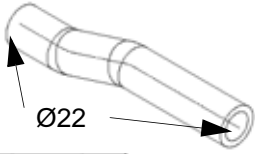
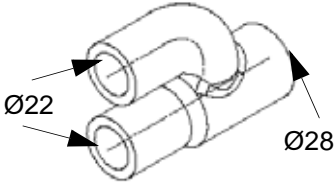
Description (all dimensions in mm)

Elbow 90° hoses



	A1	A2	B1	B2	L1	L2	Part No.
Elbow hose 90° 15-15	25	15	25	15	100	100	20100
Elbow hose 90° 15-18 (reduction)	25	15	28	18	100	100	20101
Elbow hose 90° 15-22 (reduction)	25	15	32	22	100	100	20102
Elbow hose 90° 15-28 (reduction)	25	15	38	28	100	100	20103
Elbow hose 90° 18-22 (reduction)	28	18	32	22	100	100	20104
Elbow hose 90° 18-28 (reduction)	28	18	38	28	100	100	20105
Elbow hose 90° 18-18	28	18	28	18	100	100	20095
Elbow hose 90° 19-22 (reduction)	29	19	32	22	100	100	20106
Elbow hose 90° 22-28 (reduction)	32	22	38	28	100	100	20023
Elbow hose 90° 22-22	32	22	32	22	100	100	20022
Elbow hose 90° 28-28	38	28	38	28	100	100	20021

Description (all dimensions in mm)		
Other hoses The diameters mentioned are all inner diameters . For exact dimensions of these hoses, contact UWE for drawings.	C-C measure (centre to centre)	Part number
U-bend 180° 18 mm Especially developed for UC9 	66	20085
U-bend 180° 18 mm with air bleeder Especially developed for UC9 	66	20086
Connection 18-22 (long) Especially developed for UC9-UW9 	57,8	20027
Connection 18-22 (short) Especially developed for UC9-UW9 	16,5	20028
T-connection 18-18-22 Especially developed for UC9 		20087

Description (all dimensions in mm)		
Y-connection 18-18-22 Especially developed for UC9	C-C measure 66	Part number 20096
	66	20097
<p>Y-connection 18-18-22 with air bleeder Especially developed for UC9</p> 	60,8	17772
<p>Connection 22</p> 	19,3	17773
<p>Connection 22</p> 	42	17870
<p>Connection 22-22-28</p> 	42	17871

UWE Verken AB
 Box 262
 S-601 04 Norrköping, Sweden
 Phone +46 11 24 88 00
 Fax +46 11 12 47 04
 www.uwe.se

